

PRODUCT DATA SHEET

Mini SC/APC Cable Assemblies Specification

Application

- 1.FTTH.
- 2.Outdoor Areas.
- 3.Harsh Environment.

Features

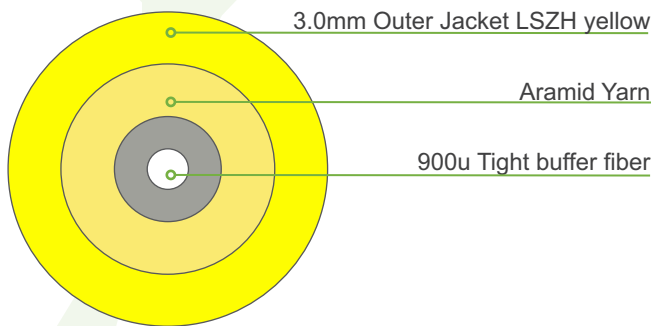
- 1.Cost effective solution for in house termination.
- 2.Low insertion loss and added loss.
- 3.Height of attenuation.
- 4.IP67 water, dust proof and corrosion resistant
- 5.The material in the jumpel cable are all-weather and UV-resistant.
- 6.Mechanical performance: IEC 61754-4 standard.
- 7.RoHS and REACH materials compliant.
- 8.Cable diameter Range: 2.0*3.0mm, 2.0*5.0mm, 3.0mm, 5.0mm to 4.0* 7.0mm.



Patch cord versions

Jumper tolerance requirement	
Overall length (L) (M)	length of tolerance (CM)
0<L≤20	+10/-0
20<L≤40	+15/-0
L>40	+0.5%L/-0

Cable Structure



Order Information (Part Number)

NTFDC xx yy zz M

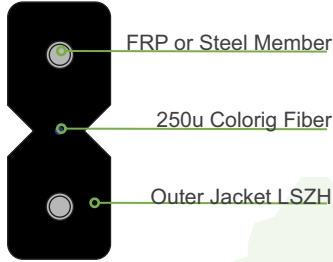
- Length in meters: 010 to 250
- Cable: Bow(BX), BOW w/mess (BM)
Round 5mm (R5), Flat (FT)
- Connector: SC/APC(SA), SC/UPC(SU)

Cable Parameters

Cable Count	Out sheath Diameter (MM)	Weight (KG)	Minimum allowable Tensile Strength (N)		minimum allowable Crush Load (N/100mm)		Minimum Bending Radius (MM)		Storage temperature °C
			short term	long term	short term	long term	short term	long term	
1	3.0±0.1	6.5	450	200	500	100	20D	10D	-20 ~ +60



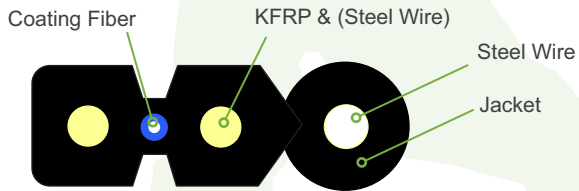
Cable Structure



Cable Parameters

Cable Count	Out sheath Diameter (MM)	Weight (KG)	Minimum allowable Tensile Strength (N)		minimum allowable Crush Load (N/100mm)		Minimum Bending Radius (MM)		Storage temperature °C
			Short term	Long term	Short term	Long term	Short term	Long term	
1	(2.0±0.1)×(3.0±0.2)	8	100	50	500	100	20D	10D	-20 ~ +60

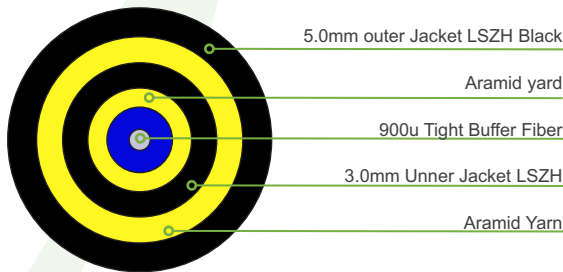
Cable Structure



Cable Parameters

Cable Count	Out sheath Diameter (MM)	Weight (KG)	Minimum allowable Tensile Strength (N)		minimum allowable Crush Load (N/100mm)		Minimum Bending Radius (MM)		Storage temperature °C
			short term	long term	short term	long term	short term	long term	
1	(2.0±0.2)×(5.0±0.3)	21.7	400	200	2200	1000	20D	10D	-20 ~ +60

Cable Structure

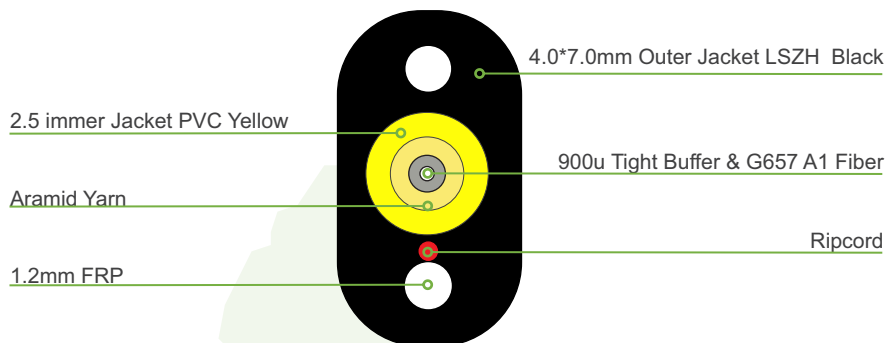


Cable Parameters

Cable Count	Out sheath Diameter (MM)	Weight (KG)	Minimum allowable Tensile Strength (N)		minimum allowable Crush Load (N/100mm)		Minimum Bending Radius (MM)		Storage temperature °C
			Short term	Long term	Short term	Long term	Short term	Long term	
1	5.0±0.2	26.5	800	400	2000	1000	20D	10D	-20 ~ +60



Cable Structure



Cable Parameters

Cable Count	Out sheath Diameter (MM)	Weight (KG)	Minimum allowable Tensile Strength (N)		minimum allowable Crush Load (N/100mm)		Minimum Bending Radius (MM)		Storage temperature °C
			Short term	Long term	Short term	Long term	Short term	Long term	
1	(4.0±0.2)×(7.0±0.2)	42	1350	40	220	1000	20D	10D	-20 ~ +60

Optical Characteristics

Item	Parameter				Reference
	Single mode		Multimode		
	Standard	Elite	Standard	Elite	
Insertion loss	Typical≤0.30dB Max≤0.75dB	Typical≤0.15dB Max≤0.35dB	Typical≤0.50dB Max≤0.25dB	Typical≤0.10dB Max≤0.35dB	IEC 61300-3-34
Return loss	≥ 50dB (PC) ≥ 60dB (APC)	≥ 55dB (PC) ≥ 65dB (APC)	≥30dB(PC)	≥30dB(PC)	IEC 61300-3-6

