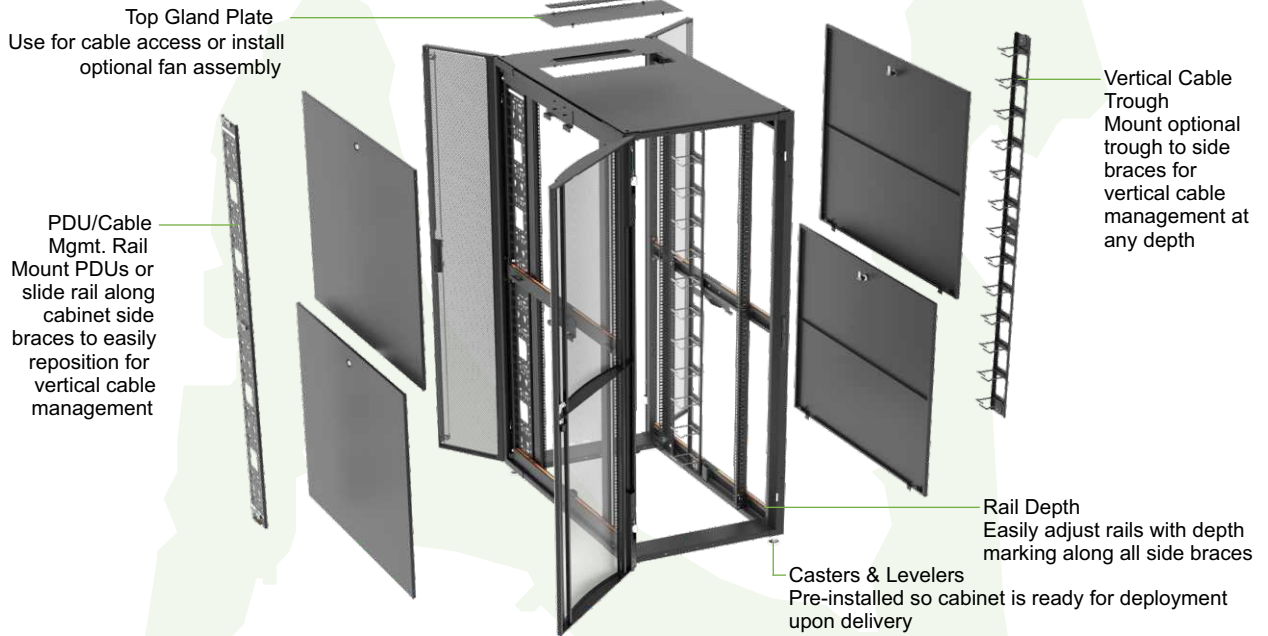


PRODUCT DATA SHEET

 CABINETS

Ready-to-ship cabinet for swift deployment of one or hundreds

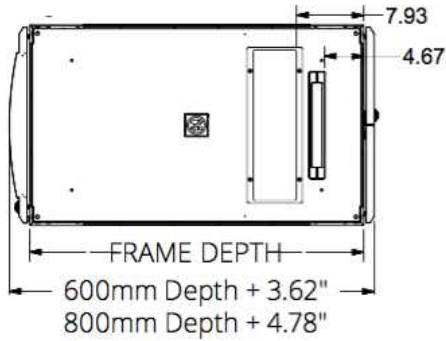


Height	Width	Depth	Example
NTnXXXL	XX	XX-	Configured N cabinet
910 (48U, 91")	24	42	
790 (42U, 79")	32	48	

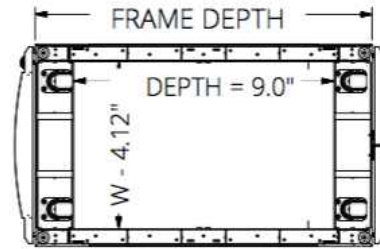
FEATURES

- Frame with two pairs of 19" EIA mounting rails with RMU markings - Two pairs of 3/8" sq. (M6) rails installed
- Single PDU/cable management rail with keyhole pattern for button mounting PDUs and lacing point pattern for cinch straps
- Solid top panel
- Half-height solid side panels with locks
- Adjustable levelers (2.5"H) and casters installed (cabinet is 88"H with levelers/casters, 86"H without; cabinet is 79"H with levelers/casters installed, 77"H without)
- Front mesh door with locking swing handle
- Rear split mesh door with locking swing handle
- 3000 lb. weight capacity
- Color: Black
- Standards: UL, RoHS II

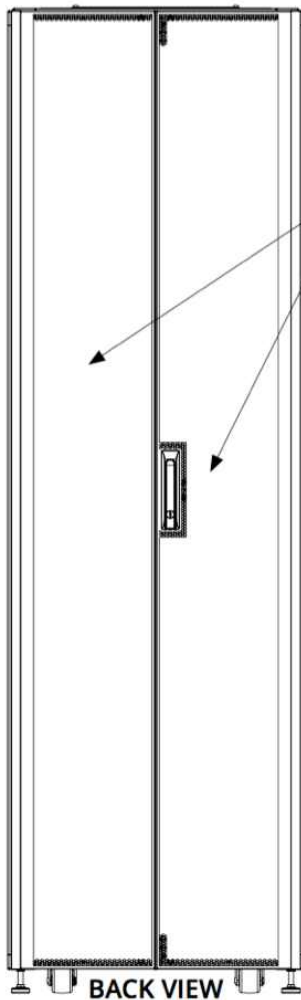




TOP VIEW



BOTTOM VIEW



BACK VIEW

Split mesh rear doors

Single hung mesh front door

