

PRODUCT DATA SHEET

N-Plug Cat 6E UTP Field Termination Plug

**Product Details**

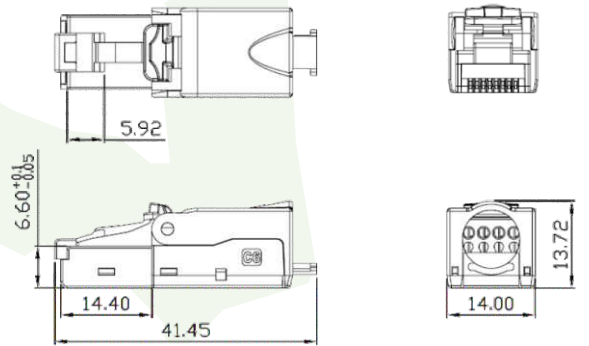
Unscreened Category 6/ Class E Field Termination Plug, with 568A/B and PNO wiring label

**Specifications**

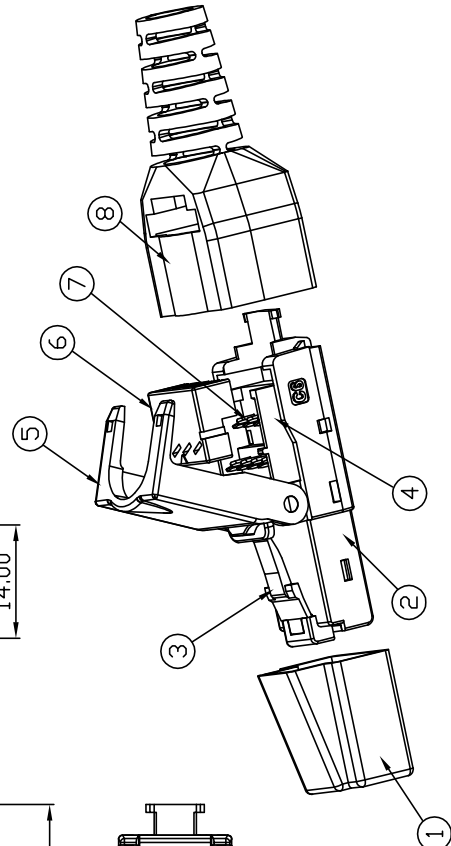
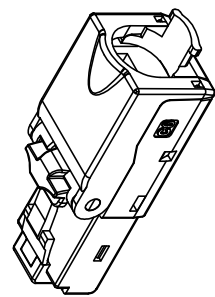
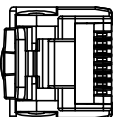
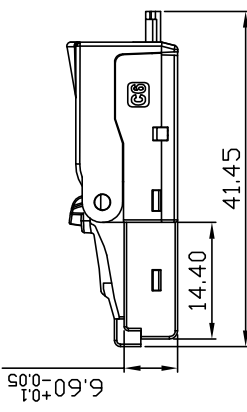
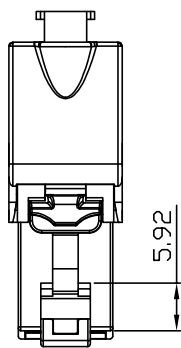
Comply with IEC 60603-7-4  
 Plug Housing: PC FR  
 Plug Pins: Phosphor bronze with 50u" gold plating  
 Durability: 750 mechanical cycles  
 Current rating: 1.5A  
 Dielectric withstanding voltage: 1000V DC  
 Insulation resistance: 500M Ω MIN.  
 Contact resistance: 20m Ω MAX

**Features**

Transmission performance: Cat.6 /Class E  
 Wiring label: TIA 568A/B & PNO  
 Termination capability:  
     23~26 AWG solid wire  
     23 ~27 AWG stranded wire  
 Re-termination capability: 5 times  
 Supporting cable diameter: 6~9mm  
 UL Listed  
 PoE+ compliant



DEGREE CLASS	A	B	C	D
10	±0.02	±0.05	±0.10	±0.15
10-50	±0.05	±0.10	±0.15	±0.20
50-120	±0.10	±0.15	±0.20	±0.25
120-300	±0.15	±0.20	±0.25	±0.30
300-500	±0.20	±0.25	±0.30	±0.35
500-1000	±0.25	±0.30	±0.35	±0.40
1000-1500	±0.30	±0.35	±0.40	±0.45
ANGEL	±0.2°	±0.5°	±1.0°	±1.5°



**SPECIFICATION**

- Current rating : 1.5A
- Dielectric withstanding voltage : Contact/contact:mated or terminated connectors 1000V DC All contacts to screen:mated or terminated connectors 1000V DC
- Insulation resistance : 500M Ω MIN.
- Contact resistance : 20m Ω MAX.
- Durability:750 mechanical cycles
- Wiring properties: 27~22 AWG(resuable up to 5 times only for 27AWG)
- Supporting cable diameter: 6~9mm

**MATERIAL**

- (1) RJ45 Plug cover:ABS
- (2) RJ45 Plug Housing: PC FR
- (3) RJ45 Plug Latch:POM
- (4) IDC Housing: PC FR
- (5) RJ45 JACK Bottom cover: PC FR
- (6) IDC Housing cover: PC FR
- (7) IDC Terminals: Phosphor bronze,Tin Plated
- (8) Cable cover:PP

RJ45 Plug Contact:Phosphor bronze,50u" Glod plating

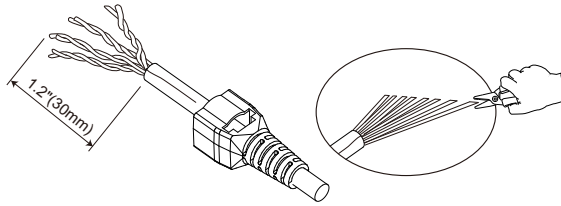
MODEL:	NTFTPC6E0A	TITLE:	C6 un-shielded Field Termination plug
DRAWN:		PART NO.	
DESIGNED:		MATERIAL	
CHECKED:		FINISH	
APPROVED:		TOOLING NO.	
		DWG NO.	
		ELMA 1	ELMA2
		UNIT	MM
		SCALE	1 : 1
		SHEET	1 OF 1
		SIZE	A4
		REV.	A



## Instruction Manual

①

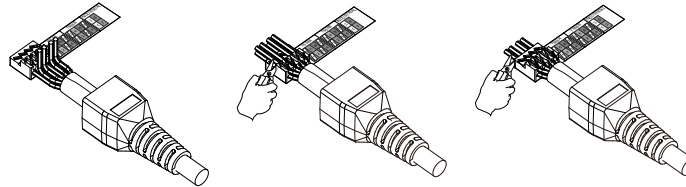
Insert cable into strain relief boot, strip off 1.2 inch of cable jacket.



JACK PIN DESIGNATIONS	TIA / EIA T568A	TIA / EIA T568B	INDUSTRIAL
	1	White/Green	White/Orange
2	Green	Orange	Orange
3	White/Orange	White/Green	White
6	Orange	Green	Blue
4	Blue	Blue	
5	White/Blue	White/Blue	
7	White/Brown	White/Brown	
8	Brown	Brown	

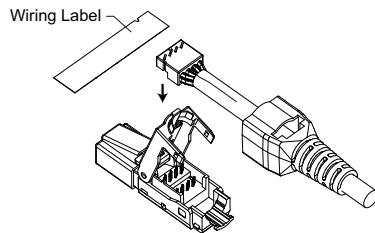
②

Fan out all four twisted pairs, following the color coding label and allocate each conductors into proper slots on wiring cap. Trim the ends of conductors.



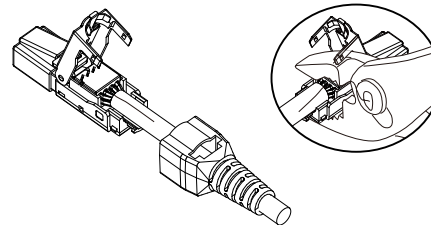
③

Remove the wiring label before place wiring cap on plug.



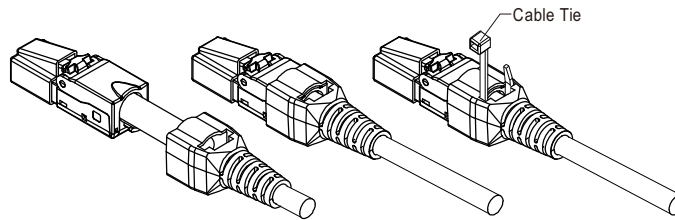
④

Place the wiring cap onto plug, use plier to clamp wiring cap until it completely snap-in to effect the connection.



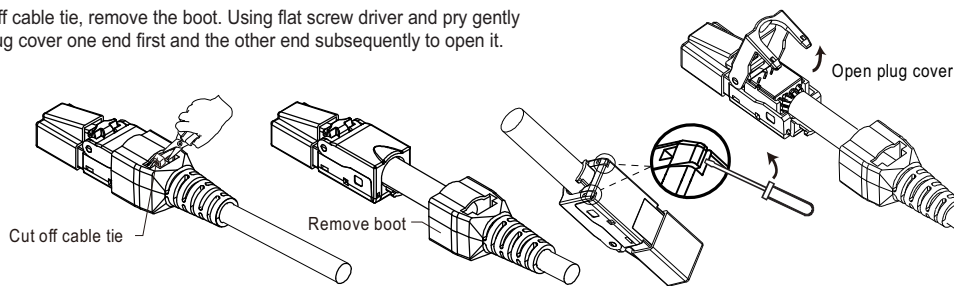
⑤

Close plug cover. Pull back strain relief boot to cover the plug, fasten supplied cable tie to secure cable with boot.



### Unload the cable

Cut off cable tie, remove the boot. Using flat screw driver and pry gently on plug cover one end first and the other end subsequently to open it.



### Boot adjustment

Cut the end of boot to fit your cable OD.

